

Article

# Development of Low-Cost Portable Spectrometers for Detection of Wood Defects

Jakub Sandak<sup>1,2,\*</sup>, Anna Sandak<sup>1,3</sup>, Andreas Zitek<sup>4</sup>, Barbara Hintestoisser<sup>5</sup> and Gianni Picchi<sup>6</sup>

<sup>1</sup> InnoRenew CoE, Livade 6, 6310 Izola, Slovenia; jakub.sandak@innorenew.eu (J.S.); anna.sandak@innorenew.eu (A.S.)

<sup>2</sup> Andrej Marušič Institute, University of Primorska, Titov trg 4, 6000 Koper, Slovenia

<sup>3</sup> Faculty of Mathematics, Natural Sciences and Information Technologies, University of Primorska, Glagoljaška 8, 6000 Koper, Slovenia

<sup>4</sup> FFoQSI—Austrian Competence Centre for Feed and Food Quality, Safety & Innovation, FFoQSI GmbH, Technopark 1C, 3430 Tulln, Austria; andreas.zitek@ffoqi.at

<sup>5</sup> Institute of Wood Technology and Renewable Materials, University of Natural Resources and Life Sciences, Konrad Lorenz-Straße 24, 3430 Tulln an der Donau, Austria; barbara.hinterstoisser@boku.ac.at

<sup>6</sup> CNR-IBE, Via Madonna del piano 10, 50019 Sesto Fiorentino, Italy; gianni.picchi@cnr.it

\* Correspondence: jakub.sandak@innorenew.eu; Tel.: +386-40-282-959

Received: 26 November 2019; Accepted: 15 January 2020; Published: 19 January 2020

**Abstract:** Portable spectroscopic instruments are an interesting alternative for in-field and on-line measurements. However, the practical implementation of visible-near infrared (VIS-NIR) portable sensors in the forest sector is challenging due to operation in harsh environmental conditions and natural variability of wood itself. The objective of this work was to use spectroscopic methods as an alternative to visual grading of wood quality. Three portable spectrometers covering visible and near infrared range were used for the detection of selected naturally occurring wood defects, such as knots, decay, resin pockets and reaction wood. Measurements were performed on wooden discs collected during the harvesting process, without any conditioning or sample preparation. Two prototype instruments were developed by integrating commercially available micro-electro-mechanical systems with for-purpose selected lenses and light source. The prototype modules of spectrometers were driven by an Arduino controller. Data were transferred to the PC by USB serial port. Performance of all tested instruments was confronted by two discriminant methods. The best performing was the microNIR instrument, even though the performance of custom prototypes was also satisfactory. This work was an essential part of practical implementation of VIS-NIR spectroscopy for automatic grading of logs directly in the forest. Prototype low-cost spectrometers described here formed the basis for development of a prototype hyperspectral imaging solution tested during harvesting of trees within the frame of a practical demonstration in mountain forests.

**Keywords:** NIR spectroscopy; wood defects; portable instruments; in-field measurement

## 1. Introduction

Wood log grading is an action used to determine a set of characteristics regarding wood quality that are later used by forest resources managers, traders and manufacturers. Overall log quality and prospective end use have a major influence on the log's economic value. The grader's challenge is to properly assess all visible characteristics of each log, including the log's geometry and presence/location of defects. Subsequently, the expert can identify the quality class corresponding to such a unique set of characteristics. Strict following of clearly defined assessment procedures as well as an objective grading verdict corresponding to established grading rules must be guaranteed along the whole inspection process [1]. Consequently, the role of the expert grader is to assure proper assessment and, particularly, determine the log's gross dimensions to estimate what portion of the

log is available to produce a given product and evaluate the quality of the product that could be produced from the log.

The procedure for log quality grading is formalized and described in dedicated standards (e.g., EN 1309, EN 1316) or established as commonly recognized procedures [2]. Grading results in a quality class, typically A, B, C or D, with the first considered as superior. In that case, a trained expert visually detects all wood imperfections or defects as well as manually measures log dimensions and geometrical features. Commercial value of the resource is determined after combining all the available information into the unique quality grade. An important limitation of this approach is that it relies on visual assessment by a person, which, from its nature, is subjective and of limited reliability/repeatability. Industries, therefore, wish to adopt more objective methodologies for resource quality determination by integrating sensors and novel descriptors of the quality, better adjusted to specific needs of the value chain players [3].

Wood defects are abnormalities or irregularities found in wood that may be responsible for reducing wood strength, durability, appearance and, as a consequence, its economic value. Defects investigated in this work were related to the natural growth of trees, which has an effect on development of wooden tissue during tree lifetime under certain environmental conditions and influences. Recently used methods rely on visual rating, which is subjective, operator-dependent, time-consuming and not precise. Therefore, it is desired that grading should be conducted by means of automatic assessment to assure a faster, more reproducible and reliable way of quality sorting.

Near infrared (NIR) spectroscopy has great potential for wood quality evaluation [4,5], mapping of wood properties [6,7] and mechanical properties estimation [8]. However, its practical application in field/forest is challenging [9–11]. Portable NIR instruments were successfully used in the field for tree breeding [12–14], prediction of tracheid length [15], assessment of wood and fiber properties in standing mountain pine beetle-attacked trees [16], wood species recognition [17], wood moisture content prediction [18] and estimation of leaf quality [19]. However, until now, only a few applications have been implemented in real-world wood processing industries, mostly for on-line sorting of wooden products and quality control of production [20–22].

Vibrational spectroscopy techniques are well suited to be used as portable or handheld due to their speed, selectivity, simplicity and no need for samples preparation [23]. Recent hardware development, combined with a miniaturizing trend in highly performing sensors and accessories, has enabled the development of state-of-the-art portable NIR equipment dedicated for forest/wood industries. Such instruments should operate in harsh environments with due precision, reliability and accuracy. Relatively fast measurement time, lightweight and ergonomic design, intuitive user interface and absence of moving parts makes such equipment an interesting alternative for in-field and on-line measurements [24–26].

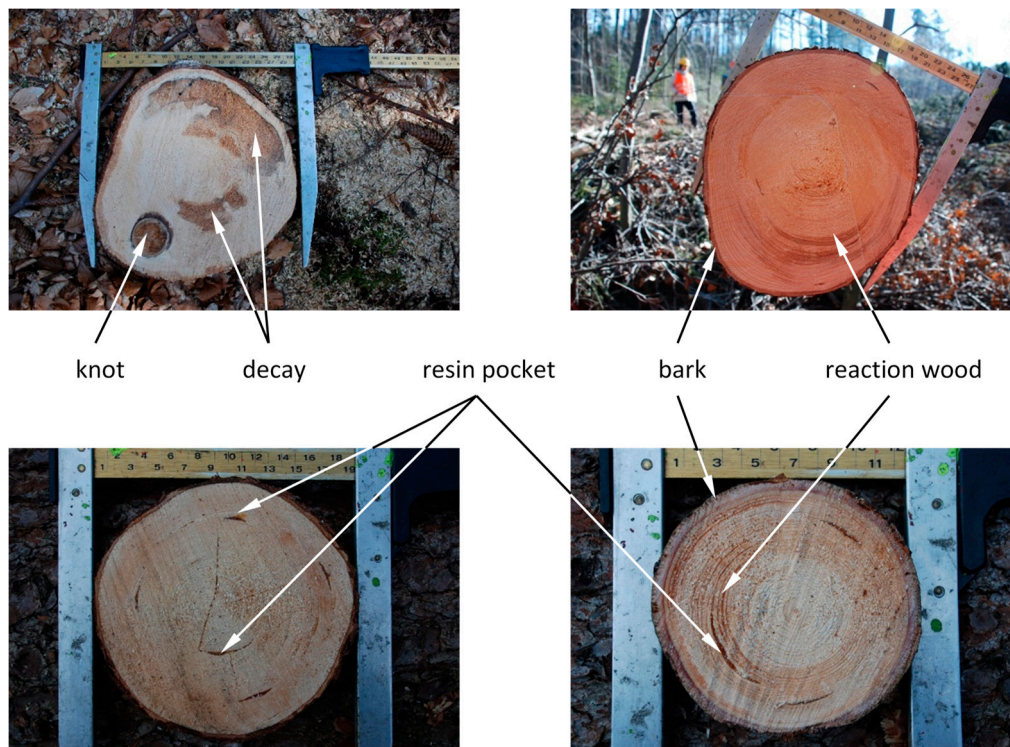
The overall objective of this work was to use spectroscopic methods as an alternative to visual grading usually performed while assessing wood quality. Sensors were intended both for manual use and installation on timber processor heads, making possible an automatic grading of logs during their production in the forest or at the roadside. For that reason, an original solution for a low-cost and portable spectroscopic instrument capable of automatic detection of selected wood defects was built and examined.

## 2. Materials and Methods

### 2.1. Sample Collection

Twenty-five wood discs of Norway spruce (*Picea abies* L. Karst) cut from trees of diameters between 100 and 400 mm were collected in Forchtenstein (Burgenland, Austria) in the spring of 2015. Directly after sampling, all samples were wrapped in aluminum and plastic foil, frozen and stored at  $-21\text{ }^{\circ}\text{C}$  in order to avoid wood drying and/or biological degradation. Laboratory measurements of the defrosted samples were performed at a surface temperature of approximately  $15\text{ }^{\circ}\text{C}$ , without any additional sample conditioning or surface preparation. The target set of researched logs contained several wood defects frequently present in naturally grown trees, such as resin pockets, compression

wood, knots and decay. Some examples of the experimental samples and diverse wood deficiencies identified on the disks' surface are shown in Figure 1. In addition to defected samples, a set of optimal quality wooden disks (containing normal wood tissue and bark) was collected in order to allow direct comparison between diverse quality classes. As a result, it was possible to measure spectra of at least 36 independent replicas for each defect.



**Figure 1.** Experimental samples in a form of wooden disks containing diverse wood defects as used for spectroscopic measurements.

## 2.2. Spectroscopic Measurements

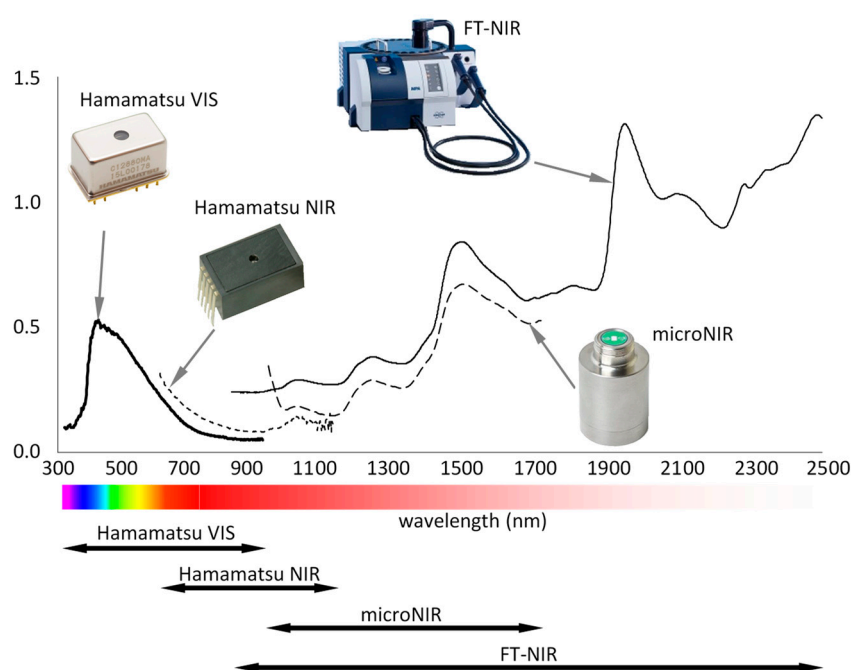
Three portable spectrometers covering different spectral ranges were selected for testing. A summary of technical characteristics is presented in Table 1 and Figure 2.

The commercially available sensor MicroNIR Pro 1700 produced by VIAVI (Santa Barbara, CA, USA) was used for both laboratory and in-field measurements. The sensor is compact and includes all components (linear variable filter, CCD detector, light source and processing unit) integrated within a single easy-to-handle assembly. The sensor was connected to a portable laptop computer by USB cable and did not require any additional electric power supply. Spectra were acquired with a scanning frequency of 80 Hz allowing 12.5 ms of the integration time. The effective spectral range covered by the sensor was 950–1650 nm (10,526–6060  $\text{cm}^{-1}$ ), with the extreme parts of the spectra excluded due to the low signal-to-noise ratio. A custom software for data acquisition and post-processing was developed in LabView by integrating tools available in the Software Development Kit.

**Table 1.** Basic characteristic of tested spectrometers.

	<b>Bruker MPA</b>	<b>MicroNIR Pro 1700</b>	<b>Hamamatsu NIR C11708MA</b>	<b>Hamamatsu VIS C12666MA</b>
sensor technology	FT (Fourier Transform)	Linear Variable Filter	MEMS micro-electro-mechanical systems	MEMS micro-electro-mechanical systems

range (nm)	833–2500	950–1650	640–1050	340–780
resolution (nm)	0.8	6.2	20	15
weight (g)	15,000	64	9	5
portable	no	yes	yes	yes
instrument available on the market	yes	yes	no	no
measurement time (s) for a single spectrum	30	0.05–0.5	0.05–0.5	0.05–0.5



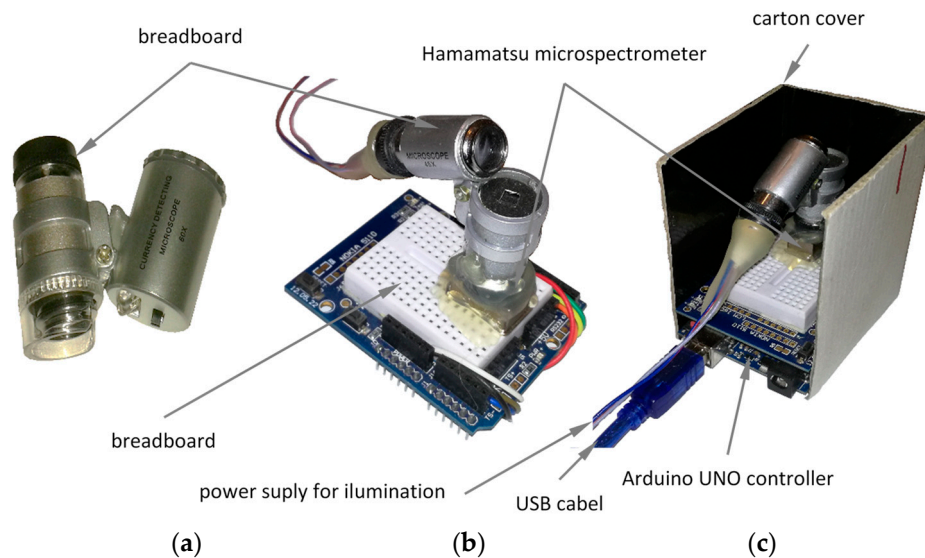
**Figure 2.** Absorbance spectra measured on the wood surface by different instruments evaluated.

In addition, Hamamatsu C12880MA and C11708MA (Hamamatsu City, Japan) micro-spectrometers were identified as low-cost instruments potentially useful for measuring experimental samples. Both sensors cover different spectral ranges, including 340–780 nm ( $29,411\text{--}12,820\text{ cm}^{-1}$ ) and 640–1050 nm ( $15,625\text{--}9524\text{ cm}^{-1}$ ) for HamamatsuVIS (C12880MA) and HamamatsuNIR (C11708MA), respectively. The commercially available hardware included only a spectrometer module integrating optical and electronic components assembled together in a compact and resistant box. It was necessary, therefore, to build fully functional instruments by adding focusing optics, illumination and signal processing units. Detailed description of the developed prototype instruments is presented in the following chapter.

Portable instruments were compared with a benchmark FT-NIR MPA (Fourier Transform-Near infrared Multi-Purpose Analyzer) spectrometer produced by Bruker Optics (Ettlingen, Germany). Absorbance spectra were acquired by means of a fiber optic probe covering the measurement area of  $10\text{ mm}^2$ . The spectral range of the FT-NIR instrument was 1000–2380 nm ( $10,000\text{--}4200\text{ cm}^{-1}$ ) and the zero-filling factor was 2. Fifty scans per spectrum were collected with a resolution of  $8\text{ cm}^{-1}$ . Spectra acquired by FT-NIR instrument were averaged to minimize natural variability due to anatomical alterations within investigated wood samples. Therefore, these were used as model spectra related to specific wood defects in order to highlight physical-chemical differences as recorded by near infrared.

### 2.3. Prototypes Development

The core of the first prototype sensor was micro-spectrometer Hamamatsu C11708MA, capable of measuring electromagnetic radiation in the near infrared spectral range with a spectral resolution of 20 nm. The sensor itself is compact (thumb size:  $27.6 \times 16.8 \times 13 \text{ mm}^3$ ) and light (weight: 9 g). However, it does not include any focusing optics nor built-in illumination. For that reason, one  $\times 60$  Zoom Mini Phone Camera Lens Microscope Magnifier was installed in front of the spectrometer and a second lens in front of the illuminating bulb, as shown in Figure 3. The solution was cost-effective and allowed measurements at an optimal distance of  $D = 3 \text{ mm}$  between lenses and the object surface.

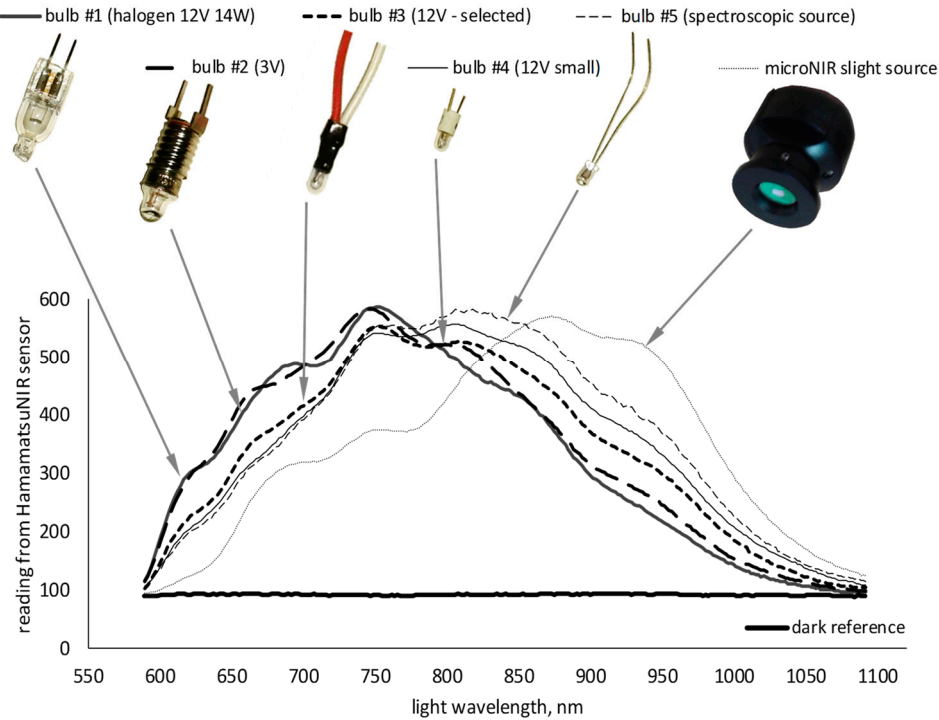


**Figure 3.** Focusing optics used in prototype spectrometers (a), the lenses, spectrometer with illumination installed on the breadboard (b) and assembled instruments ready for measurements (c).

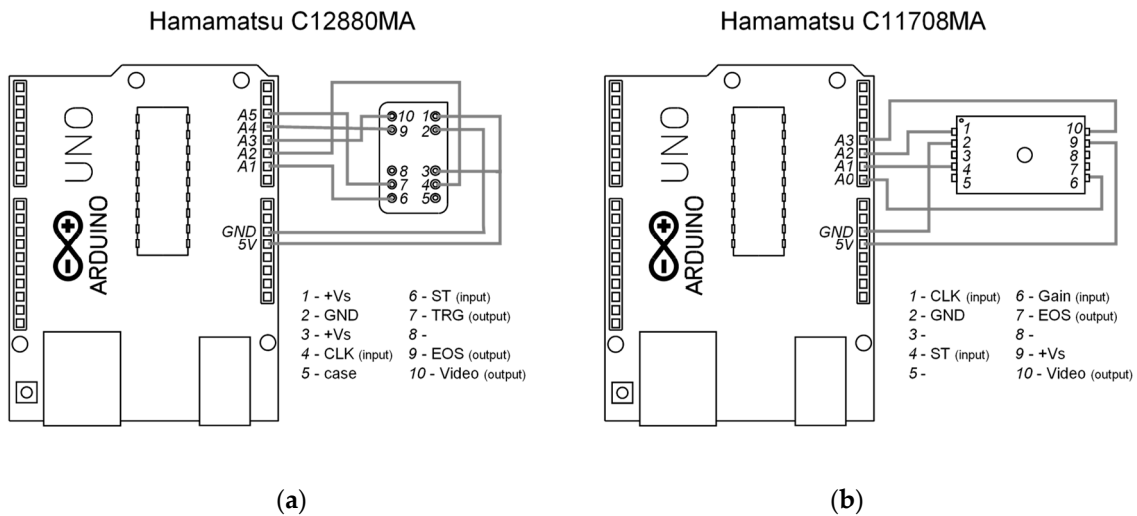
Selection of the optimal illumination was the most challenging task and several light sources (including LED illuminators, halogen and fluorescence bulbs) were chosen for testing during the preparatory phase. Images of some evaluated bulbs as well as responses from the HamamatsuNIR spectrometer are presented in Figure 4. In this case, the spectra of the light reflected from the reference surface (Spectralon) are plotted together. Considering its compact size, sufficient light intensity and optimal coverage of the complete spectral band, bulb #3 was selected for integration within the prototype instrument. All parts, including spectrometer, optics, illumination and controller unit, were assembled together in a simple carton box protecting the optical system from external illuminations (Figure 3).

A similar procedure was implemented for setting up the second sensor (Hamamatsu C12880MA), where identical light source (bulb #3) and focusing optics were integrated with the spectrometer.

The electronic system used for controlling both spectrometers was developed on Arduino UNO microcontroller frames. The simplified wiring schema for connections is presented in Figure 5. The system worked properly in that configuration, even though it is recommended to add digital buffers for low power electronic circuits. The basic software code uploaded to the microcontroller internal memory is provided as Appendix A and B for Hamamatsu C11708MA and C12880MA, respectively.



**Figure 4.** Different sources of light tested for suitability in developed prototypes and the spectral response recorded by the Hamamatsu NIR C11708MA sensor.



**Figure 5.** Connection diagram of Hamamatsu C12880MA (a) and C11708MA (a) micro-spectrometers to the Arduino UNO microcontroller.

Total cost of the hardware required for implementing the prototype in-field systems presented here varied from a few hundred (Hamamatsu sensors) to several thousands (MicroNIR sensor). However, additional resources should be considered when integrating these with a dedicated controller (instead of a laptop PC as used in this study) as well as all-weather cover and protection. Even then, overall investment to that solution is far less costly when compared to the corresponding laboratory equipment (Fourier transform infrared (FT-NIR)) and still provides a unique set of quality characteristics impossible to acquire with alternative technologies.

2.4. Data Evaluation and Mining

Two alternative classification methods, PLS-DA (Partial Least Square Discriminant Analysis) and SVMC (Support Vector Machine Classifier) were used for spectroscopic data post-processing.

PLS\_Toolbox 8.0 (Eigenvector Research, Manson, WA, USA) and LabView 13 (National Instruments, Austin, TX, USA) were used as software platforms for spectral data analysis and the generation of chemometric models. The best configuration for the model was identified with the Model Optimizer software tool as part of the PLS\_Toolbox package. Optimization included testing of all combinations for discrimination algorithms, principal components number, spectra pre-processing and selected ranges of spectra. Extended Multiplicative Scatter Correction (EMSC), spectra smoothing, first and second derivatives (Savitzky-Golay), as well as area normalization, were used as spectra pre-processing routines.

### 3. Results and Discussion

#### 3.1. Quality Parameters of Logs Detectable by NIR Spectroscopy

Visual grading is the traditional method for determining log quality and is based on types, sizes and positions of physical characteristics that are not allowed for each quality class. A short description of wood defects downgrading Norway spruce log quality class is briefly summarized below.

Knots are the portion of a branch or limb that has been surrounded by subsequent xylem grown during tree life. The size, type and distribution of knots have the most important impact on lumber mechanical resistance and are main considerations when applying grading rules. Knot size (usually diameter) is measured in centimeters. The severity of grain deflection caused by the knot is correlated with its size. The knot reduces lumber (log) quality when its diameter is  $>2$  cm. The distribution of knots in logs depends on the tree species and position within the stem. It is also determined by the growth characteristics of the stand and the age of the tree among the others.

Resin pockets are small discontinuities within the xylem that are filled with resin and wound tissue. They are usually occluded after some years of wood formation and tree growth. The occurrence of resin pockets is characteristic for softwoods possessing resin canals (such as Norway spruce) or trees exposed to stresses (animal/insect attacks, sites exposed to winds, etc.). The influence of resin pockets on the strength properties is insignificant; however, it downgrades visual appeal of products made from such wood and may result in continuous release of the resin on the wood surface when it is used for high-end finishing products (e.g., clear wood, windows, veneers).

Compression wood is a type of defect that tends to form in conifers exposed to strong winds or trees growing on a slope. Compression wood is often characterized by a dense hard brittle grain and reacts to seasonal moisture changes. Properties of compression wood are considerably different from those in normal mature wood. Compression wood tracheids, for example, are about 30% shorter than normal and have higher microfibril angle. In addition, compression wood contains about 10% less cellulose and 8–9% more lignin and hemicelluloses than normal wood. These factors reduce the desirability of compression wood for pulp and paper manufacture. Compression wood not only yields less cellulose but produces low strength pulp. The general effects of compression wood on the performance of sawn timber are reduction in the strength, stiffness and dimensional stability, resulting in a decrease in yield of high-quality end products. Compression wood may cause problems in processing the log by exhibiting bow and spring in the manufactured product.

Rot is caused by a variety of fungi that break down and digest wood chemical components. Fungi attack wood according to their specific enzymatic system. Brown-rot fungi have limited impact to lignin structure; however, they easily degrade polysaccharides. White-rot fungi have the capability to degrade mainly lignin structure but also carbohydrate wood cell components (cellulose and hemicellulose) [27]. Rot is the wood defect for which quality grade reduction is obligatory. Rot fungus enters the tree through a root, broken branch, damaged treetop or scar on the stem. Logs cut from older trees are suspected to contain more developed rot. The final stage of rot is a complete or extensive material loss forming internal cavities.

Finally, bark, which is not a wood defect but the tree's external protective layer, might be detected by spectroscopy. Bark tissues make up 10–20% of tree weight and consist of various

biopolymers, tannins, lignin, suberin, suberan and polysaccharides [28]. The wood/bark ratio is an important parameter that affects lumber yield [29].

### 3.2. Model Spectra of Wood and Wood Defects

NIR spectrometers are highly suitable for assessment of heterogeneous organic matter, including living trees and wood [3,10,30]. The NIR spectrum contains information regarding both chemical composition and physical state of measured samples. The spectral peak position and its shape corresponds to the presence of specific functional groups possessing dipole momentum. The low frequency component of spectra (scatter) is related to the optical properties of the matter and highly depends on sample preparation and presentation. FT-NIR spectroscopy, as the most sensitive technique among those tested in this research, was selected to highlight effects of wood defects on the spectral fingerprint. Therefore, Figure 6 presents a second derivative spectra for all wood deficiencies investigated. The interpretation of spectra includes identification of spectral features differentiating its outline and assigning these according to the literature references [31,32] as summarized in Table 2.

An unwanted effect of the derivatization process is that the signal-to-noise ratio decreases at higher orders of derivatives. It is a consequence of the discrimination effect and the fact that, by its nature, the noise contains the sharpest features in the spectrum. As a consequence, the bandwidth of noise corresponds to the interval of the spectral data used in the derivative calculation. The decrease in signal-to-noise ratio can be reduced by using smoothing properties of the Savitzky-Golay algorithm, even if a high degree of smoothing can distort the derivative spectrum [33].

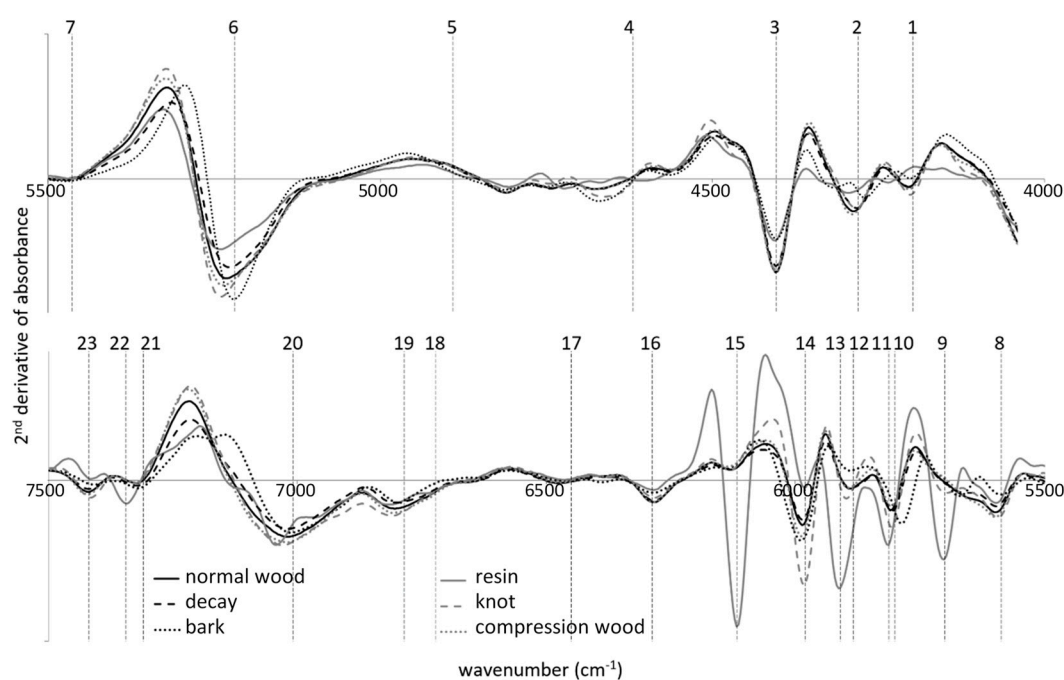
**Table 2.** Band assignment characteristic for wood, according to Schwanninger et al. [31] and Vagnini et al. [32].

	Wavenumber ( $\text{cm}^{-1}$ )	Wavelength (nm)	Wood Component	Functional Group
1	4198	2382	holocellulose	CH
2	4280	2336	cellulose	CH, CH <sub>2</sub>
3	4404	2270	cellulose, hemicellulose	CH, CH <sub>2</sub> , OH, CO
4	4620	2164	cellulose, hemicellulose	OH, CH
5	4890	2044	cellulose semicrystalline and crystalline	OH, CH
6	5219	1916	water	OH
7	5464	1830	cellulose semicrystalline and crystalline	C=O
8	5587	1790	cellulose semicrystalline and crystalline	CH
9	5700	1754	extractives	CH <sub>2</sub>
10	5800	1724	hemicellulose (furanose/pyranose)	CH
11	5812	1720	extractives	CH <sub>2</sub>
12	5883	1700	hemicellulose	CH
13	5909	1692	extractives	CH
14	5980	1672	lignin	CH
15	6117	1635	extractives	CH <sub>2</sub>
16	6287	1590	cellulose crystalline	OH
17	6450	1550	cellulose crystalline	OH
18	6722	1487	cellulose semicrystalline	OH
19	6785	1474	cellulose	OH
20	7008	1426	amorphous cellulose/water	OH
21	7309	1368	aliphatic chains	CH
22	7344	1361	extractives	CH
23	7418	1348	aliphatic chains	CH

The most dissimilar spectrum was that corresponding to the resin pocket. Resin serves to protect the tree from dehydration and microbial attack and is typically composed of monoterpenes and resin



acids [34]. Resin pockets spectra contain unique spectral bands not present in other wood features (5700, 5812, 5909, 6117, 7344  $\text{cm}^{-1}$ ). All of the above are assigned to  $-\text{CH}$  or  $-\text{CH}_2$  groups of aromatic and aliphatic chains in wood extractives [32]. Knots, compression wood and bark contain more lignin; therefore, their band at 5980  $\text{cm}^{-1}$  is more profound as compared to the reference spectrum of normal wood. The model spectrum of decayed wood appeared to have similar shape to that of normal wood. However, it was noticed that the decay on the samples investigated was at the very early stage when degradation of woody polymers was still negligible. Therefore, it was problematic to assuredly assign specific decay type (white or brown rot) on the basis of FT-NIR spectra only.



**Figure 6.** Model spectra of wood and wood defects detected by Fourier transform infrared (FT-NIR) instrument.

### 3.3. Recognition of Wood Defects by Automatic Classification Methods

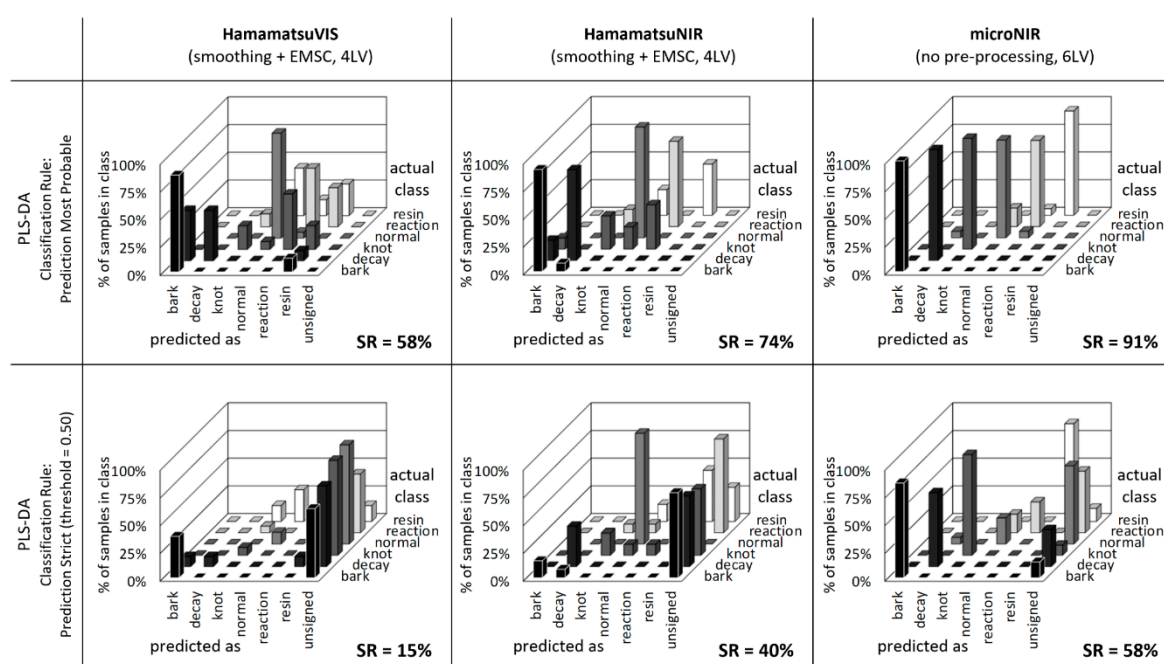
Two alternative chemometric methods, PLS-DA and non-linear SVMC, were used for spectral data classification. Both methods belong to the group of supervised techniques and require complete information regarding the membership of each sample/measurement to a certain category. The algorithm is capable (after proper calibration) to classify a new/unknown sample into one of the pre-defined classes on the basis of its spectral pattern [35].

PLS-DA is a multivariate inverse least-squares analysis method used to classify samples. It decomposes the spectra as linear combinations of principal components (PC) that express the major part of information contained in the overall dataset. The predictor variables or latent variables (LVs) are generated from the input variables to maximize the variance between sample classes in the model [36]. PLS-DA is widely used in the analysis of multivariate data. It helps to determine if groups of samples are distinct and identify all the spectral features that can describe the differences between groups. All these differences are expressed as model loadings or latent variables. An important advantage of PLS-DA is its availability to handle highly colinear and noisy data. Moreover, it provides a visual interpretation of a complex dataset through easily interpretable scores plots that highlight the differences between groups.

SVM is a flexible method that makes no assumption regarding data. It is a nonlinear classification method that constructs a set of hyperplanes in a high or infinite dimensional space and a good separation is achieved by the hyperplane that has the largest distance to the nearest training data point of any class [36]. It works by obtaining the optimal boundary of two groups in a vector space independent of the probabilistic arrangements of vectors in the training set. When the linear

boundary in low dimension input space is not enough to separate two classes, SVM can create a hyperplane that allows linear separation in the higher dimension feature space [35]. Support Vector Machine is a supervised machine learning algorithm useful for solving both classification and regression problems. In this approach, data are presented in  $n$ -dimensional space, corresponding to the number of variables describing the data. In contrast to PLS-DA, SVM is not influenced by the distribution of diverse sample classes. The methods allow flexibility in the choice of kernel function that leads to the separation of two groups of samples by solving either linear or non-linear problems. An important limitation is that SVM does not provide interpretable model's statistics, such as scores or loadings [37].

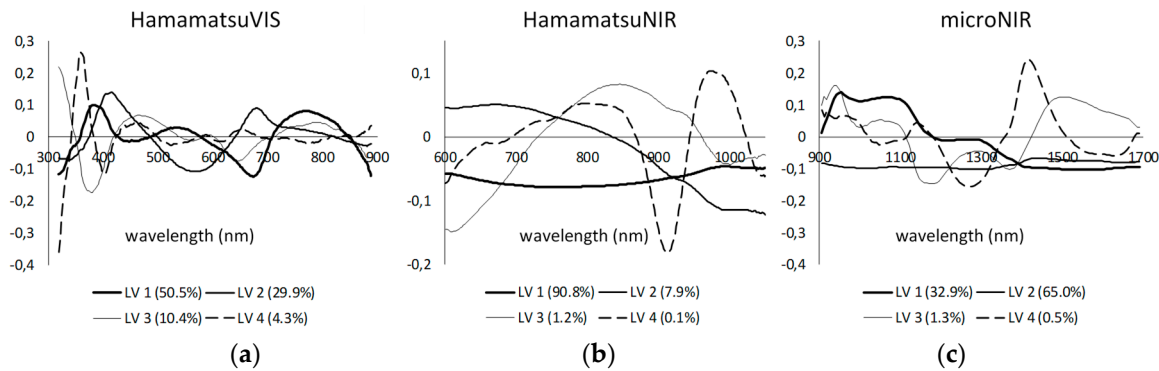
Results of the PLS-DA classification for MicroNIR and both prototype Hamamatsu sensors are presented in Figure 7 in a form of the confusion table. All columns located on the diagonal running from bottom left to top right (excluding unsigned row) correspond to the properly identified samples. In that case, the spectra of a given defect was identified as a member of the class describing exactly such defect. Therefore, it is desired that the optimal discrimination model results in majority of validation samples appearing on the diagonal of the confusion table. All the other spectra (not laying on the table diagonal) are considered as undesirable or wrong classifications. The case when normal wood is identified as defect is defined as false negative, in contrast to false positive when deficient wood as identified as normal. A convenient numerical quantifier of the discrimination model accuracy is the success rate (SR) computed as a percent ratio of the correctly classified to total number of samples. It has to be noted that more than 1800 independent spectra were used for the models development, considering 66% of spectra used for calibration and 34% for independent data set validation.



**Figure 7.** Automatic identification of defects on wood samples with Partial Least Squares discriminant analysis (PLSDA) (SR—success rate).

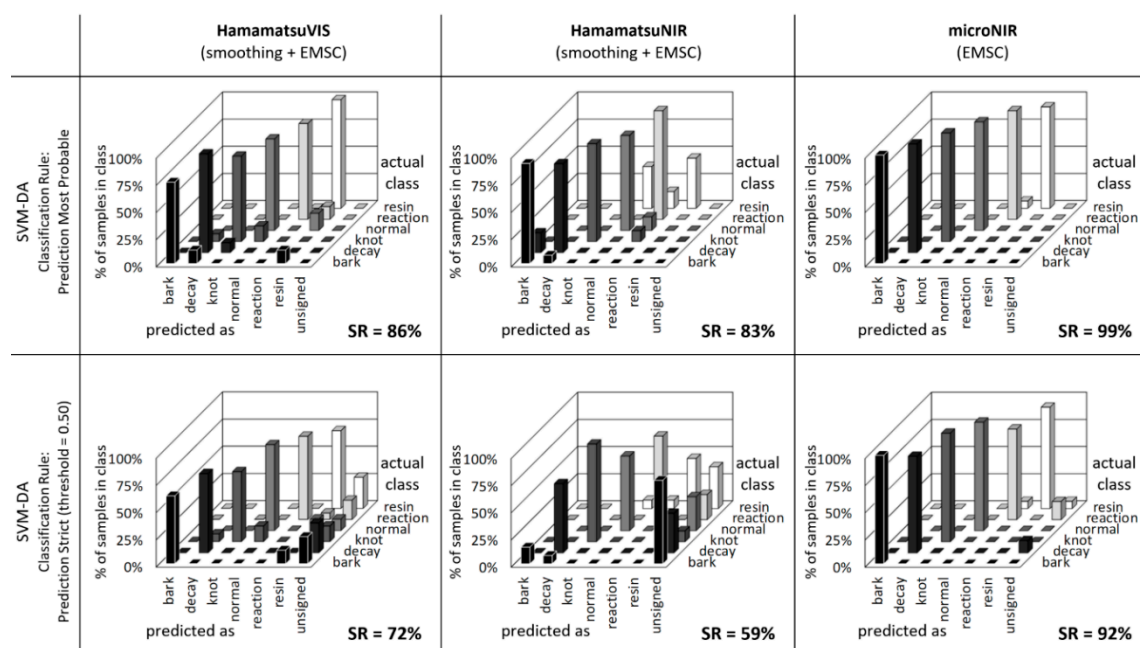
The PLS-DA model capably fit the microNIR spectral data and only five lateral variables (explaining 95.4% of the variance) were enough to reduce the cross-validation error of prediction below 15%. The outline of loadings (variables) is presented in Figure 8, where all the spectral features allowing proper samples differentiation can be identified. The classification decision was taken by the system considering two alternative approaches. The first algorithm identifies the class considering the highest value of the affinity probability among the all confronted classes. In that case, all samples are assigned to only one class and none belongs to the “unsigned.” The second algorithm confronts the PLS model results with a predefined threshold. The sample is assigned to a given class

if it passes the threshold; otherwise, it is considered as “unsigned.” The second algorithm is more reliable but also very sensitive to minor disturbances within the source spectra. For that reason, in case of real-world implementation of the discrimination of wood defects, the “Prediction Most Probable” approach is recommended. It is clear that the best performance of wood defects discrimination was by modeling spectra acquired with microNIR spectrometer (success rate  $SR = 91\%$ ). However, low-cost prototype sensors were also capable of properly identifying wood defects, even though the success rates were lower (58% and 74% for Hamamatsu VIS and NIR, respectively). The most problematic was the differentiation between knots and reaction wood. This was due to several physical-chemical similarities between both defects and also limited spatial resolution/accuracy of prototype spectrometers. The high number of unsigned samples identified with “Prediction Strict” algorithm highlights the drawback of this method and confirms the high similarities between spectra obtained on the wood surface.



**Figure 8.** First four loadings (lateral variables LV) for PLSDA models of wood defects as obtained for HamamatsuVIS (a), HamamatsuNIR (b) and microNIR (c).

The greatest advantage of PLS-DA is a possibility for the model interpretation by means of loadings. However, the practical implementation may not be optimal as not all the variance within source data may be represented by a limited number of principal components. Therefore, it is frequently applied to use machine learning algorithms for data representation and identification. Support Vector Machine is one of these routinely used tools for spectral data processing and was, therefore, implemented to assess the identical data set as in PLS-DA. Confusion tables for resulting SVMC models obtained are presented in Figure 9, assuming both classification rules. The success rate for all sensors is evidently higher than those obtained with PLS-DA. Only a few samples were misclassified, mostly in the case of Hamamatsu NIR and resin mixed with normal wood. The performance of the microNIR sensor was nearly faultless even if implementing “Prediction Strict” rule for classification. The number of unsigned samples was considerably lowered for both Hamamatsu prototype sensors. It was assumed, therefore, that the overall performance of the SVMC was superior to PLS-DA. Unfortunately, no direct interpretation of the model was possible and only the independent validation was proof of the model reliability.



**Figure 9.** Automatic identification of defects on wood samples with Support Vector Machine (SVM) classification.

#### 4. Conclusions and Practical Recommendations Regarding the Implementation of the (Prototype) Sensors for Wood Defects Detection

Portable spectroscopic instruments are an interesting alternative to laboratory equipment, allowing fast and reliable measurements for chemical/physical properties of materials. In this work, one commercially available and two self-constructed prototype instruments were tested with the purpose of wood defects discrimination. The performance of all spectrometers was compared by means of PLS-DA and SVM methods.

The most convenient place to measure spectra with sensors developed in this research is on the cross section of logs after tree felling or on the pile of stored logs. Utilization of spectrometers to assess log sides is problematic as the bark layer prevents light from accessing the log's interior. The only information available to scrutinize are traces of knots appearing on the side of the log visible over the bark layer. Even if determination of the log's quality by assessing its cross section may be considered as limited, it can provide an enormous possibility to improve the state-of-the-art in quality grading and managing of value chains. The functionality of the proposed low-cost spectroscopic system can be extended to predict chemical composition of wood polymers as well as its distribution (map) over the log section or whole volume. It can lead toward development of new methodologies where raw resources are optimally destined to down-stream conversion following the paradigm of "proper wood resources for proper use".

The up-to-date results and experiences highlight the MicroNIR sensor as a superior technique for fast and automatic discrimination of wood deficiencies. It is especially advantageous as it is a compact system integrating all optical and electronic components. It allows minimization of electrical noises and, therefore, increases overall signal-to-noise ratio. An important drawback of this solution is its relatively high cost, especially when considering the use of an array of sensors for better spatially defined analysis in-field or on-line. The prototype low-cost sensors, therefore, may be a good alternative, allowing further customization of the technical solution and, consequently, improvement of the system's performance. Both, hardware assembly and necessary software, are rather simple for implementation, offering a wide range of possibilities for the sensor's fit-to-purpose design.

An important issue is proper spatial calibration of the hardware. The field of view is controlled in our solution by adjusting the focusing optics and distance between the lenses and measured surface. However, the depth of field for microscopic lenses is very narrow, resulting in likely blurring of the image and reduction of light quality reaching the spectrometer. It is especially significant when

evaluating wooden disks having excessive surface roughness resulting from log cutting with a chain saw.

As a rule of thumb, it is necessary to assure sufficiently frequent white and black reference calibration of the sensor while working with portable equipment. This is due to the fact that resulting spectra is highly affected by the sensors and surface temperatures recurrently changing when operating in-field. Previous studies [38,39] reported that temperature variations degrade the quality of agri-food products assessment models. Similarly, effect of temperature on NIR spectra in solid wood samples of Norway spruce or OSB boards was studied by References [40,41]. They observed that with temperature increases, the two main hydroxyl absorbance bands at approximately 1450 and 1930 nm shifted by about  $0.4 \text{ nm}\cdot\text{C}^{-1}$  towards shorter wavelengths. More pronounced shift was noticed for heartwood due to higher moisture content in the sapwood. Ice crystals on wooden surfaces cause light scattering when sample temperature is below  $0 \text{ }^{\circ}\text{C}$ . Consequently, it was recommended that the temperature should be taken into account in order to correctly predict moisture content, especially if it fluctuates around  $0 \text{ }^{\circ}\text{C}$  [42]. The practical solution to compensate effect of temperature variation on the detector, measured object or ambience is a frequent measurement of dark and white references. This routine was also implemented in the presented research.

Work reported here was an essential part of the research project related to practical implementation of NIR spectroscopy for automatic grading of logs directly in the forest [43]. Extensive screening tests presented here resulted in development of a prototype hyperspectral imaging solution containing an array of sixteen micro-spectrometers simultaneously acquiring spatially resolved spectra from the surface of wood samples. All the instruments presented were also tested during real operation conditions while harvesting trees directly in the forest.

All the data used to support the findings of this study are available from the corresponding author upon request. The software codes used to program Arduino controllers are included as Appendix A and Appendix B.

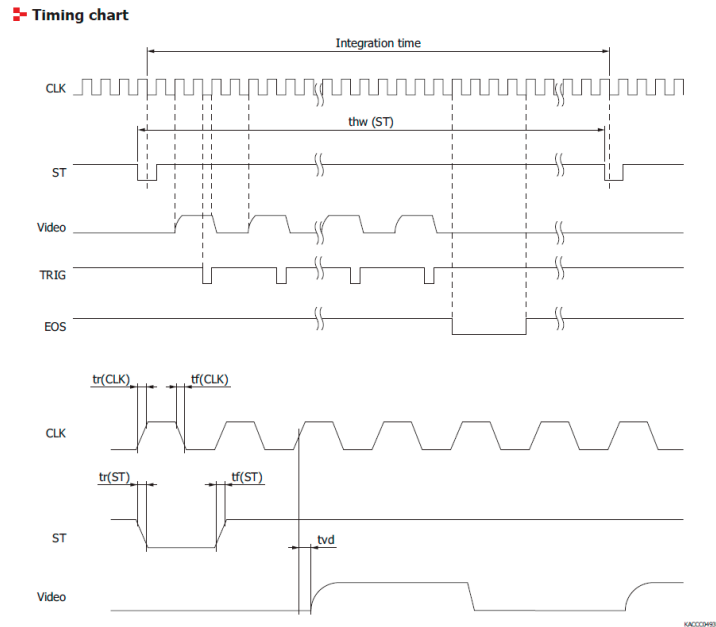
**Author Contributions:** Conceptualization: J.S., A.S., A.Z., B.H., G.P.; methodology: J.S., A.S., A.Z.; software: J.S.; validation: A.S., A.Z.; formal analysis: J.S., A.S., B.H.; investigation: J.S., A.S., A.Z.; resources: A.Z., B.H.; data curation: J.S., A.S., A.Z.; writing-original draft preparation: J.S., A.S.; writing-review and editing: J.S., A.S., A.Z., B.H., G.P.; visualization: J.S.; supervision: J.S.; project administration: G.P., B.H.; funding acquisition: J.S., A.S., B.H., G.P. All authors have read and agreed to the published version of the manuscript.

**Funding:** This work was conducted within project SLOPE receiving funding from the European Union's Seventh Framework Programme for research, technological development and demonstration under the NMP.2013.3.0-2 [Grant number 604129]. Part of the work was conducted during the BIO4ever [RBSI14Y7Y4] project funded within SIR call by the Italian Ministry of Education, University and Research (MIUR). The authors gratefully acknowledge the European Commission for funding the InnoRenew CoE project [Grant Agreement # 739574] under the Horizon2020 Widespread-Teaming program, the Republic of Slovenia (investment funding of the Republic of Slovenia and the European Union European Regional Development Fund) and infrastructural ARRS program IO-0035. We also acknowledge the support by the COMET-K1 competence centre FFoQSI funded by the Austrian ministries BMVIT, BMDW and the Austrian provinces Niederoesterreich, Upper Austria and Vienna within the scope of COMET—Competence Centers for Excellent Technologies. The programme COMET is handled by the Austrian Research Promotion Agency FFG.

**Acknowledgments:** The authors acknowledge Emiliano Genorini from VIAVI Solutions Inc. for renting MicroNIR™ PAT-U sensor for testing.

**Conflicts of Interest:** The authors declare no conflict of interest.

## Appendix A. Arduino Code for Hamamatsu C11708MA Micro-Spectrometer



**Figure 1.** Timing chart for signal input and output for micro-spectrometer Hamamatsu C12880MA (source: [https://www.hamamatsu.com/resources/pdf/ssd/c10988ma-01\\_etc\\_kacc1169e.pdf](https://www.hamamatsu.com/resources/pdf/ssd/c10988ma-01_etc_kacc1169e.pdf)).

//This code is inspired by the sketch from Peter Jansen <https://github.com/tricorderproject/arducordermini>  
 //it follows the timing chart defined in the official datasheet documentation downloadable from [https://www.hamamatsu.com/resources/pdf/ssd/c10988ma-01\\_etc\\_kacc1169e.pdf](https://www.hamamatsu.com/resources/pdf/ssd/c10988ma-01_etc_kacc1169e.pdf)

### //DEFINITION OF PINS

```
// 5V: pin 9
// GND: pin 2
#define SPEC_GAIN      A0 //pin 6
#define SPEC_ST        A1 //pin 4
#define SPEC_CLK       A2 //pin 1
#define SPEC_VIDEO     A3 //pin 10
#define SPEC_CHANNELS  256
uint16_t data[SPEC_CHANNELS];

void setup() {
  pinMode(SPEC_GAIN, OUTPUT);
  pinMode(SPEC_ST, OUTPUT);
  pinMode(SPEC_CLK, OUTPUT);
  digitalWrite(SPEC_ST, HIGH);
  digitalWrite(SPEC_CLK, HIGH);
  digitalWrite(SPEC_GAIN, LOW); //High Gain
  Serial.begin(115200);
}

void readSpectrometer()
{
  int delay_time = 1; // delay per half clock (in microseconds) ultimately controls the integration time
  int idx = 0;
  int read_time = 1;
```

```
int intTime = 100;
int accumulateMode = false;
int i;
```

**// STEP 1: START LEADING CLOCK PULSES**

```
for (int i = 0; i < SPEC_CHANNELS; i++) {
digitalWrite(SPEC_CLK, LOW);
delayMicroseconds(delay_time);
digitalWrite(SPEC_CLK, HIGH);
delayMicroseconds(delay_time);
}
```

**// STEP 2: SEND START PULSE TO SIGNAL START OF INTEGRATION/LIGHT COLLECTION**

```
digitalWrite(SPEC_CLK, LOW);
delayMicroseconds(delay_time);
digitalWrite(SPEC_CLK, HIGH);
digitalWrite(SPEC_ST, LOW);
delayMicroseconds(delay_time);
digitalWrite(SPEC_CLK, LOW);
delayMicroseconds(delay_time);
digitalWrite(SPEC_CLK, HIGH);
digitalWrite(SPEC_ST, HIGH);
delayMicroseconds(delay_time);
```

**// STEP 3: INTEGRATION TIME -- SAMPLE FOR A PERIOD OF TIME DETERMINED BY THE INTTIME PARAMETER**

```
int blockTime = delay_time * 8;
long int numIntegrationBlocks = ((long)intTime * (long)1000) / (long)blockTime;
for (int i = 0; i < numIntegrationBlocks; i++) {
digitalWrite(SPEC_CLK, LOW);
delayMicroseconds(delay_time);
digitalWrite(SPEC_CLK, HIGH);
delayMicroseconds(delay_time);
digitalWrite(SPEC_CLK, LOW);
delayMicroseconds(delay_time);
digitalWrite(SPEC_CLK, HIGH);
delayMicroseconds(delay_time);
digitalWrite(SPEC_CLK, LOW);
delayMicroseconds(delay_time);
digitalWrite(SPEC_CLK, HIGH);
delayMicroseconds(delay_time);
digitalWrite(SPEC_CLK, LOW);
delayMicroseconds(delay_time);
digitalWrite(SPEC_CLK, HIGH);
delayMicroseconds(delay_time);
}
```

**// STEP 4: SEND START PULSE TO SIGNAL END OF INTEGRATION/LIGHT COLLECTION**

```
digitalWrite(SPEC_CLK, LOW);
delayMicroseconds(delay_time);
digitalWrite(SPEC_CLK, HIGH);
digitalWrite(SPEC_ST, LOW);
delayMicroseconds(delay_time);
digitalWrite(SPEC_CLK, LOW);
delayMicroseconds(delay_time);
digitalWrite(SPEC_CLK, HIGH);
digitalWrite(SPEC_ST, HIGH);
delayMicroseconds(delay_time);
```

**// STEP 5: READ DATA 2 (THIS IS THE ACTUAL READ, SINCE THE SPECTROMETER HAS NOW SAMPLED DATA)**

```

idx = 0;
for (int i = 0; i < SPEC_CHANNELS; i++) {
  digitalWrite(SPEC_CLK, LOW);
  delayMicroseconds(delay_time);
  digitalWrite(SPEC_CLK, HIGH);
  delayMicroseconds(delay_time);
  digitalWrite(SPEC_CLK, LOW);
  if (accumulateMode == false) {
    data[idx] = analogRead(SPEC_VIDEO);
  } else {
    data[idx] += analogRead(SPEC_VIDEO);
  }
  idx += 1;
  if (delay_time > read_time) delayMicroseconds(delay_time - read_time);
  digitalWrite(SPEC_CLK, HIGH);
  delayMicroseconds(delay_time);
  digitalWrite(SPEC_CLK, LOW);
  delayMicroseconds(delay_time);
  digitalWrite(SPEC_CLK, HIGH);
  delayMicroseconds(delay_time);
  digitalWrite(SPEC_CLK, LOW);
  delayMicroseconds(delay_time);
  digitalWrite(SPEC_CLK, HIGH);
  delayMicroseconds(delay_time);
}

```

**// STEP 6: TRAILING CLOCK PULSES**

```

for (int i = 0; i < SPEC_CHANNELS; i++) {
  digitalWrite(SPEC_CLK, LOW);
  delayMicroseconds(delay_time);
  digitalWrite(SPEC_CLK, HIGH);
  delayMicroseconds(delay_time);
}
}

```

void print\_data()

```

{
  for (int i = 0; i < SPEC_CHANNELS; i++)
  {

```

**//SENDING DATA ACQUIRED FROM SENSOR TO THE SERIAL PORT**

```

  Serial.print(data[i]);
  Serial.print(',');
  }
  Serial.print("\n");
}

```

void loop()

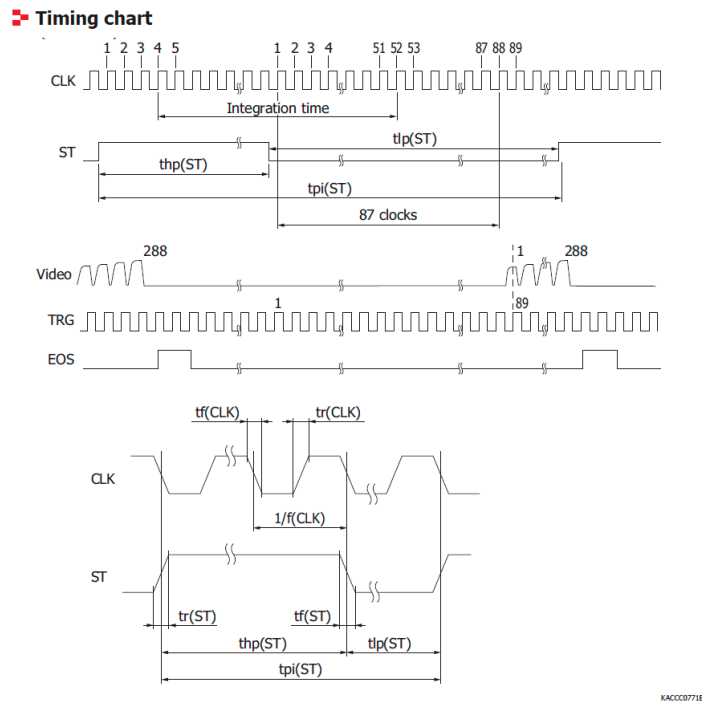
```

{
  readSpectrometer();
  print_data();
  delay(10);
}

```



## Appendix B. Arduino Code for Hamamatsu C12880MA Micro-Spectrometer



**Figure A2.** Timing chart for signal input and output for micro-spectrometer Hamamatsu C12880MA (source: [https://www.hamamatsu.com/resources/pdf/ssd/c12880ma\\_kacc1226e.pdf](https://www.hamamatsu.com/resources/pdf/ssd/c12880ma_kacc1226e.pdf)).

//This code is implementation of the timing chart defined in the official datasheet documentation downloadable from [https://www.hamamatsu.com/resources/pdf/ssd/c12880ma\\_kacc1226e.pdf](https://www.hamamatsu.com/resources/pdf/ssd/c12880ma_kacc1226e.pdf)

### //DEFINITION OF PINS

// +5V: pin 1 and pin 3

// GND: pin 2

#define SPEC\_ST A1 //pin 6

#define SPEC\_CLK A2 //pin 4

#define SPEC\_VIDEO A3 //pin 10

#define SPEC\_EOS A4 //pin 9

#define SPEC\_TRG A5 //pin 7

#define SPEC\_CHANNELS 381 // is same as number of cycles: integration time + 375

uint16\_t data[SPEC\_CHANNELS];

void setup()

{

pinMode(SPEC\_ST, OUTPUT);

pinMode(SPEC\_CLK, OUTPUT);

int integrationTime = 6; //minimum integration time is 6

int thpST = 54; //integration time + 48

int numberCycles = 381; // integrationTime+375

Serial.begin(230400);

}

void loop()

{

//SETTING OF INTEGRATION TIME: CHANGE THIS VALUE IF THE SIGNAL IS SATURATED

```

int delay_time = 5;
int idx = 0;
int i;
for (int i = 0; i < 381; i++) {
digitalWrite(SPEC_CLK, LOW);
if (i < 54)
{ digitalWrite(SPEC_ST, HIGH); }
else
{ digitalWrite(SPEC_ST, LOW); }
//SENDING DATA ACQUIRED FROM SENSOR TO THE SERIAL PORT
Serial.print(analogRead(SPEC_VIDEO));
Serial.print(',');
delayMicroseconds(delay_time);
digitalWrite(SPEC_CLK, HIGH);
delayMicroseconds(delay_time);
}
Serial.print("\n");
}

```

## References

1. Ministry of Forests, Lands and NRO. Scaling Manual. Available online: <https://www2.gov.bc.ca/assets/gov/farming-natural-resources-and-industry/forestry/timber-pricing/harvest-billing/timber-scaling/scaling2011novmaster.pdf> (accessed on 20 November 2019).
2. Pollini, C. *Manuale per la Classificazione Visuale Qualitativa del Legno Tondo di Abete Rosso, Abete Bianco e Larice*; Servizio Foreste e Fauna e CNR IV ALSA: Trento, Italy, 2006; p. 112.
3. Sandak, A.; Sandak, J.; Böhm, K.; Zitek, A.; Hintestoisser, B. Near infrared spectroscopy as a tool for in-field determination of log/biomass quality index in mountain forests. *J. Near Infrared Spectrosc.* **2016**, *24*, 587–594.
4. Schimleck, L.R.; Matos, J.L.M.; Trianoski, R.; Prata, J.G. Comparison of Methods for Estimating Mechanical Properties of Wood by NIR Spectroscopy. *J. Spectrosc.* **2018**, *2018*, 4823285.
5. Lengowski, E.C.; Muñiz, G.; de Klock, U.; Nisgoski, S. Potential use of NIR and visible spectroscopy to analyze chemical properties of thermally treated wood. *Maderas. Cienciay Tecnol.* **2018**, *20*, 627–640.
6. Schimleck, L.; Antony, F.; Mora, C.; Dahlen, J. Comparison of Whole-Tree Wood Property Maps for 13- and 22-Year-Old Loblolly Pine. *Forests* **2018**, *9*, 287.
7. Li, Y.; Via, B.K.; Cheng, Q.; Zhao, J.; Li, Y. New Pretreatment Methods for Visible–Near-Infrared Calibration Modeling of Air-Dry Density of *Ulmus pumila* Wood. *For. Prod. J.* **2019**, *69*, 188–194.
8. Andrade, C.R.; Trugilho, P.F.; Napoli, A.; da Silva Vieira, R.; Lima, J.T.; de Sousa, L.C. Estimation of the mechanical properties of wood from *Eucalyptus urophylla* using near infrared spectroscopy. *Cerne* **2010**, *16*, 3, 291–298.
9. Meder, R. Near infrared spectroscopy: Seeing the wood in the trees. *NIR News* **2016**, *27*, 26–28.
10. Sandak, J.; Sandak, A.; Meder, R. Assessing trees, wood and derived products with NIR spectroscopy: Hints and tips. *J. Near Infrared Spectrosc.* **2016**, *24*, 485–505.
11. Hein, P.R.G.; Pakkanen, H.K.; Santos, A.A.D. Challenges in the use of Near Infrared Spectroscopy for improving wood quality: A review. *For. Syst.* **2017**, *26*, 10.
12. Schimleck, L. Near infrared spectroscopy: A rapid non-destructive method for measuring wood properties and its application to tree breeding. *N. Z. J. For. Sci.* **2008**, *38*, 14–35.
13. Meder, R.; Brawner, J.T.; Downes, G.M.; Ebdon, N. Towards the in-forest analysis of Kraft pulp yield: Comparing the in-laboratory performance of laboratory and handheld instruments and their value in screening breeding trials. *J. Near Infrared Spectrosc.* **2001**, *19*, 5.
14. Meder, R. The magnitude of tree breeding and the role of near infrared spectroscopy. *NIR News* **2015**, *26*, 3.
15. Li, Y.; Via, B.K.; Cheng, Q.; Li, Y. Lifting Wavelet Transform De-noising for Model Optimization of Vis-NIR Spectroscopy to Predict Wood Tracheid Length in Trees. *Sensors* **2018**, *18*, 4306.

16. Hsieh, E.; Uy, N.; Wallbacks, L. Development of a Portable Spectroscopic Sensor to Measure Wood and Fibre Properties in Standing Mountain Pine Beetle-Attacked Trees and Decked Logs; Mountain Pine Beetle Initiative Working Paper 2006-16; Natural Resources Canada, Canadian Forest Service, Pacific Forestry Centre: Victoria, BC, Canada, 2006; ISBN 0-662-44351-9.
17. da Silva, D.; Pastore, T.C.M.; Soares, L.F.; de Barros, F.A.S.; Bergo, M.C.J.; Coradin, V.T.H.; Gontijo, A.B.; Sosa, M.H.; Chacón, C.B.; Braga, J.W.B. Determination of the country of origin of true mahogany (*Swietenia macrophylla* King) wood in five Latin American countries using handheld NIR devices and multivariate data analysis. *Holzforschung* **2018**, *72*, 521–530.
18. Hans, G.; Leblon, B.; Cooper, P.; la Rocque, A.; Nader, J. Determination of moisture content and basic specific gravity of *Populus tremuloides* (Michx.) and *Populus balsamifera* (L.) logs using a portable near-infrared spectrometer. *Wood Mater. Sci. Eng.* **2015**, *10*, 3–16.
19. Warburton, P.; Brawner, J.T.; Meder, R. Handheld NIR spectroscopy for the prediction of leaf physiological status in tree seedlings. *J. Near Infrared Spectrosc.* **2014**, *22*, 433–348.
20. Watanabe, K.; Mansfield, S.D.; Avramidis, S. Application of near-infrared spectroscopy for moisture-based sorting of green hem-fir timber. *J. Wood Sci.* **2001**, *57*, 288–294.
21. Tsuchikawa, S.; Kobort, H.; Inagaki, T.; Fujimoto, T. Fast online near infrared technique to predict modulus of elasticity and moisture content of sawn lumber. In Proceedings of the 11th European Conference on Non-Destructive Testing (ECNDT 2014), Prague, Czech Republic, 6–10 October 2014.
22. Lestander, T.A.; Johnsson, B.; Grothage, M. NIR techniques create added values for the pellet and biofuel industry. *Bioresour. Technol.* **2009**, *100*, 1589–1594.
23. Murray, H. *Overview and Comparison of Portable Spectroscopy Techniques: FTIR, NIR and Raman*; AnalyticLtd Whitepaper: Cambridge, UK, 2012; p. 9.
24. Santos, C.; Lopo, M.; Páscoa, R.; Lopes, J.A. A Review on the Applications of Portable Near-Infrared Spectrometers in the Agro-Food Industry. *Appl. Spectrosc.* **2013**, *67*, 1215–1233.
25. Cao, J.; Liang, H.; Lin, X.; Tu, W.; Zhang, Y. Potential of near-infrared spectroscopy to detect defects on the surface of solid wood boards. *BioResources* **2017**, *12*, 19–28.
26. Abd-Elrahman, A.; Pand-Chhetri, R.; Vallad, G. Design and Development of a Multi-Purpose Low-Cost Hyperspectral Imaging System. *Remote Sens.* **2011**, *3*, 570–586.
27. Sandak, A.; Ferrari, S.; Sandak, J.; Allegretti, O.; Terziev, N.; Riggio, M. Monitoring of wood decay by near infrared spectroscopy. *Adv. Mater. Res.* **2013**, *778*, 802–809.
28. Vane, C.H.; Drage, T.C.; Snape, C.E. Bark decay by the white-rot fungus *Lentinula edodes*: Polysaccharide loss, lignin resistance and the unmasking of suberin. *Int. Biodeterior Biodegrad.* **2006**, *57*, 14–23.
29. Zhang, S.Y. Wood Quality Attributes and Their Impacts on Wood Utilization. In Proceedings of the XII World Forestry Congress, Quebec, QC, Canada, 21–28 September 2003.
30. Sandak, A.; Sandak, J.; Negri, M. Relationship between near-infrared (NIR) spectra and the geographical provenance of timber. *Wood Sci. Technol.* **2011**, *45*, 35–48.
31. Schwanninger, M.; Rodrigues, J.; Fackler, K. A review of band assignment in near infrared spectra of wood and wood components. *J. Near Infrared Spectrosc.* **2011**, *99*, 287–308.
32. Vagnini, M.; Miliani, C.; Cartechini, L.; Rocchi, P.; Brunetti, B.G.; Sgamellotti, A. FT-NIR spectroscopy for noninvasive identification of natural polymers and resins in easel paintings. *Anal. Bioanal. Chem.* **2009**, *395*, 2107–2118.
33. Owen, A.J. *Uses of Derivative Spectroscopy. Application Note: UV-Visible Spectroscopy*; Agilent Technologies: Waldbronn, Germany, 1995; p. 8.
34. Holmbom, T.; Reunanen, M.; Fardim, P. Composition of callus resin of Norway spruce, Scots pine, European larch and Douglas fir. *Holzforschung* **2008**, *62*, 417–422.
35. Berrueta, L.A.; Alonso-Salces, R.M.; Héberger, K. Supervised pattern recognition in food analysis. *J. Chromatogr. A* **2007**, *1158*, 196–214.
36. Tian, Y.; Wang, Z.; Han, X.; Hou, H.; Zheng, R. Comparative investigation of partial least squares discriminant analysis and support vector machines for geological cuttings identification using laser-induced breakdown spectroscopy. *Spectrochim. Acta B* **2014**, *102*, 52–57.
37. Gromski, P.S.; Muhamadali, H.; Ellis, D.I.; Xu, Y.; Correa, E.; Turner, M.L.; Goodacre, R. A tutorial review: Metabolomics and partial least squares-discriminant analysis—A marriage of convenience or a shotgun wedding. *Anal. Chim. Acta* **2015**, *879*, 10–23.

38. Hansen, W.G.; Wiedemann, S.C.C.; Snieder, M.; Wortel, V.A.L. Tolerance of near infrared calibrations to temperature variations; a practical evaluation. *J. Near Infrared Spectrosc.* **2000**, *8*, 125–132.
39. Kawano, S.; Abe, H.; Iwamoto, M. Development of a calibration equation with temperature compensation for determining the Brix value in intact peaches. *J. Near Infrared Spectrosc.* **1995**, *3*, 211–218.
40. Thygesen, L.G.; Lundqvist, S.O. NIR measurement of moisture content in wood under unstable temperature conditions. Part 1. Thermal effects in near infrared spectra of wood. *J. Near Infrared Spectrosc.* **2000**, *8*, 183–189.
41. Cheng, Q.; Zhou, C.; Jiang, W.; Zhao, X.; Via, B.; Wan, H. Mechanical and Physical Properties of Oriented Strand Board Exposed to High Temperature and Relative Humidity and Coupled with Near-Infrared Reflectance Modeling. *For. Prod. J.* **2018**, *68*, 78–85.
42. Thygesen, L.G.; Lundqvist, S.O. NIR measurement of moisture content in wood under unstable temperature conditions. Part 2. Handling temperature fluctuations. *J. Near Infrared Spectrosc.* **2000**, *8*, 191–199.
43. Sandak, J.; Sandak, A.; Marrazza, S.; Picchi, G. Development of a sensorized timber processor head—Part 1: Sensor description and preliminary testing. *Croat. J. For. Eng.* **2019**, *40*, 25–37.



© 2020 by the authors. Licensee MDPI, Basel, Switzerland. This article is an open access article distributed under the terms and conditions of the Creative Commons Attribution (CC BY) license (<http://creativecommons.org/licenses/by/4.0/>).